



Model No : TLY-MB-C-25XK-0D-01

Spec No.	Date	Page	Ver.
/	Mar/03/2016	1/7	A2

# Jiang Xi TALOYA Technology CO. LTD.

## SPECIFICATION FOR APPROVAL

Company Name: \_\_\_\_\_

Product Name: LED Round Panel Light

Part No: TLY-MB-C-25XK-0D-01

Description: AC100-240V 50/60Hz

Your Part No: \_\_\_\_\_

For customer filling			
Confirmed department.			
Confirmed result			
(Signature)			
Finally result			

Approve	Auditing	Make
Hailin Zhou	Haimin Guo	Martin Liu

SHENZHEN Add:

613, Huanancheng Development Center, Pinghu St., Longgang Dist., Shenzhen, Guangdong, China (Mainland)

TEL: 86-755-84669045 FAX: 86-755-84573610 Email: tw@taloya.cn www.taloya.com

Spec No.	Date	Page	Ver.
/	Mar/03/2016	2/7	A2

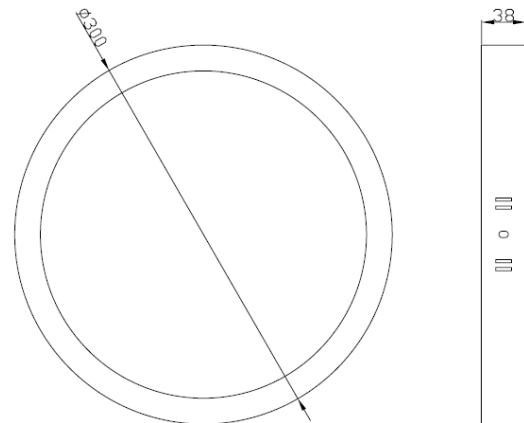
## Product Description

- ◆ Energy saving—Have constant current driver, ultra-low power consumption, high efficiency
- ◆ Environmental—No UV & infrared radiation, Light without the heat, more soft light.
- ◆ Super bright—Use high bright LED, vertical illuminance is exceed to other factory's.
- ◆ Long life—Up to more than 20,000 hours.
- ◆ Attractive appearance—With bright appearance, non-pollution and slim and light, easily installed without fixed holder

## Product Picture



## Product Dimensions

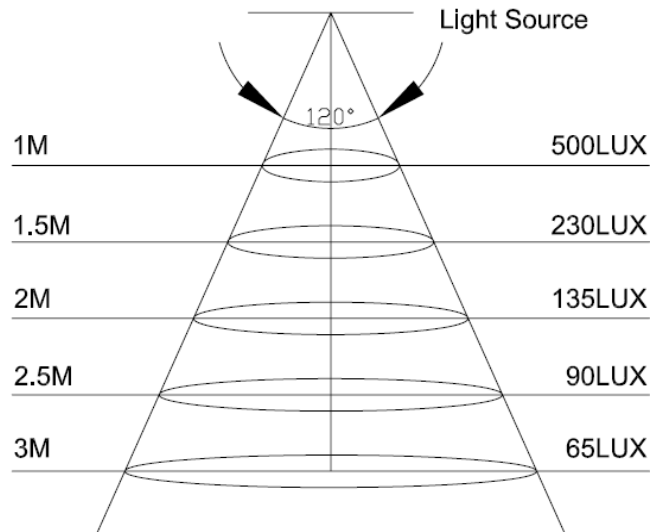


## Application area

It can totally replace fluorescent lamp, applications in various areas of lighting. Such as hotels, bars, supermarkets, restaurants, museums, exhibition halls, conference room, shops, warehouses, home lighting and other places.



## Average illumination figure



## Device Selection Guide

Part No.	Color	Dom. Wavelength or CCT(Typ.)	Lumen		LED Type
			Typ.	Max	
TLY-MB-C-25CK-0D-01	Cool white	6500K	1750	1950	SMD 2835
TLY-MB-C-25WK-0D-01	Warm white	3000K	1750	1950	SMD 2835

Note: [1] If you have any special request, please contact with our salesmen.

## Technical Parameter at T<sub>A</sub>=25°C

Items	Symbol	Min.	Typ.	Max.	Units
Power Consumption	P	23	24	25	W
Single loop input Voltage (AC) <sup>[1]</sup>	V <sub>i</sub>	100	---	240	V
Single loop input current (AC) <sup>[1]</sup>	I <sub>f</sub>	150	---	390	mA
Viewing Angle	VA	115	120	125	Deg.
Surface Temperature in Operation Condition	/	-20	---	40	°C
Surface Temperature in Storage Condition	/	-40	---	55	°C
Lifespan	H	---	20000	---	H

Note: [1] It is recommended to use the typical input voltage to drive LED light. The unsuitable input voltage will damage the LED light or reduce the life of product.

Spec No.	Date	Page	Ver.
/	Mar/03/2016	4/7	A2

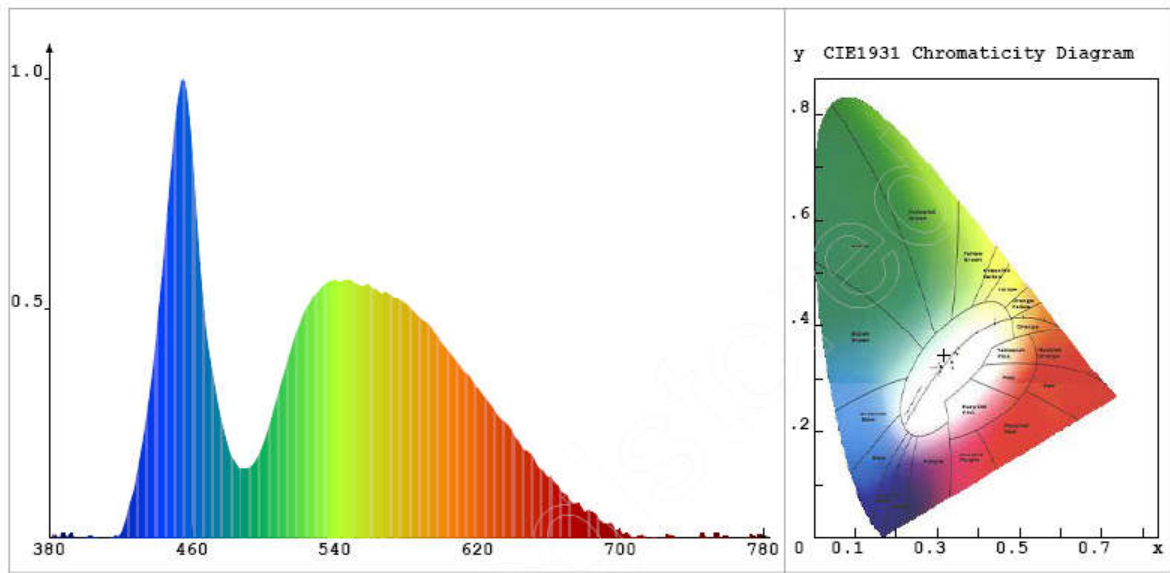
## Integrating sphere test data

◆ Cool white

### LED Test Report

**Product Mark**

Product Type :TLY-MB-C-25CK-0D-01    Manufacturer :TALOYA  
 Temperature :25'C    Humidity :75%  
 Operator :Martin    Test Date :Sep-08-2015



**Chroma Parameters**

Chro.Coord.: x=0.3158    y=0.3441    u=0.1944    v=0.3177    duv=0.0092  
 CCT: Tc= 6258K    Dominant Wave.: 500.8nm    Purity: 5.4%  
 R ratio: R= 12.3    Peak Wavelength: 453.9nm    Half Width: 25.3nm

**Rending Index: Ra= 73.4**

R1 =73.8    R2 =84.3    R3 =87.5    R4 =65.7    R5 =63.8    R6 =64.3    R7 =85.7  
 R8 =62.8    R9 =-26.3    R10=55.2    R11=61.0    R12=32.1    R13=77.7    R14=93.4  
 R15=68.2

**Photo Parameters**

Flux: 1781.00lm    Effi.: 77.1lm/W    RadiantPower: 1772.4mW

**Ele. Parameters**

Voltage:U=214.3V    Current:I=0.171A  
 Power:P= 23.1W    Power Factor:PF=0.640

**Instrument state**

IntgeTime: 356.179ms    VPeak: 13389    VDark: 1471  
 Scan Range: 380-780nm

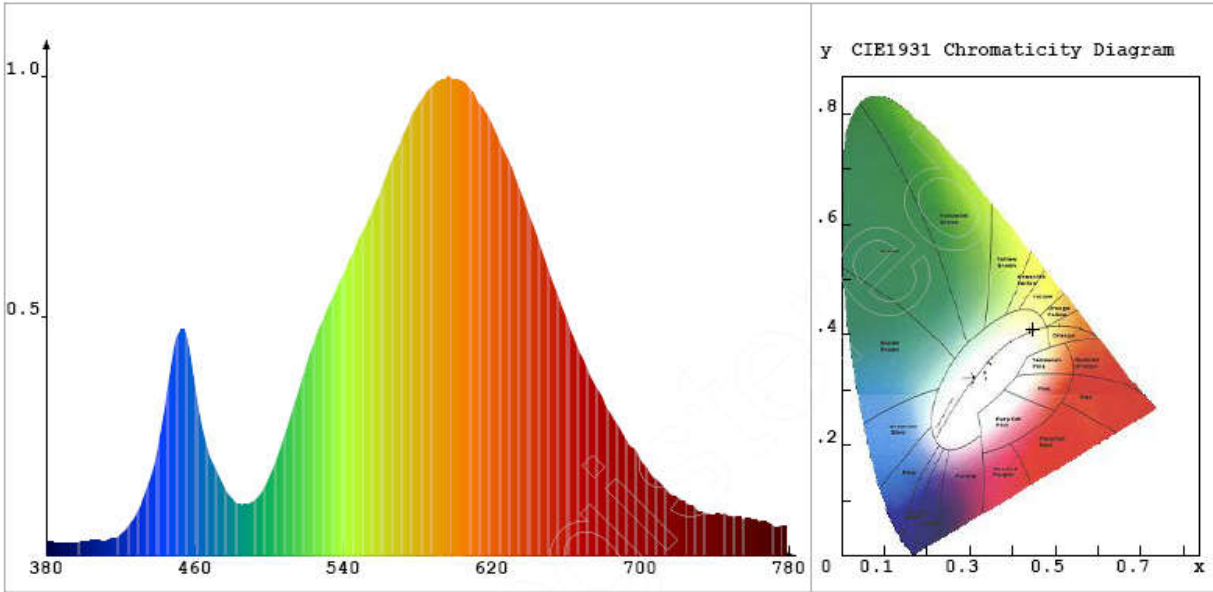
Spec No.	Date	Page	Ver.
/	Mar/03/2016	5/7	A2

◆ Warm white

## LED Test Report

### Product Mark

Product Type : TLY-MB-C-25WK-0D-01    Manufacturer : TALOYA  
 Temperature : 'C    Humidity : 25%  
 Operator : Martin    Test Date : 2015-09-08



### Chroma Parameters

Chro.Coord.: x=0.4465    y=0.4108    u=0.2538    v=0.3503    duv=0.0014  
 CCT: Tc= 2899K    Dominant Wave.: 583.8nm    Purity: 57.3%  
 R ratio: R= 22.3    Peak Wavelength: 597.0nm    Half Width: 130.0nm

### Rending Index: Ra= 74.6

R1 =72.5    R2 =84.1    R3 =92.9    R4 =68.9    R5 =68.0    R6 =73.9    R7 =83.1  
 R8 =53.9    R9 =-9.8    R10=60.7    R11=62.2    R12=47.1    R13=74.7    R14=95.6  
 R15=67.4

### Photo Parameters

Flux: 1815.66lm    Effi.: 78.2lm/W    RadiantPower: 5158.2mW

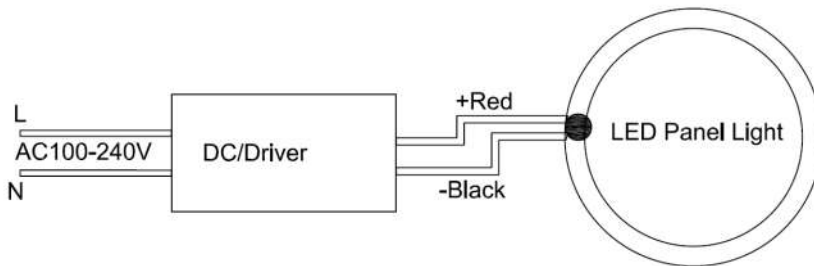
### Ele. Parameters

Voltage:U=211.5V    Current:I=0.168A  
 Power:P= 23.2W    Power Factor:PF=0.639

### Instrument state

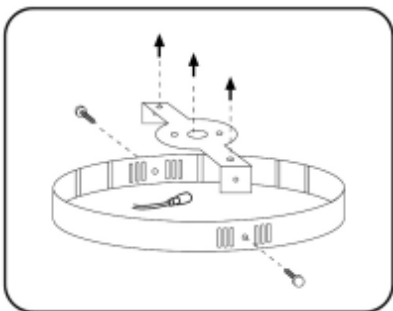
IntgeTime: 103.705ms    VPeak: 14117    VDark: 1297  
 Scan Range: 380-780nm

## Connection

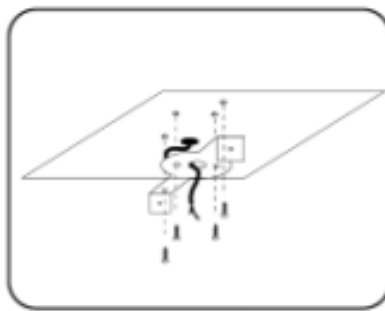


## Installation Instruction

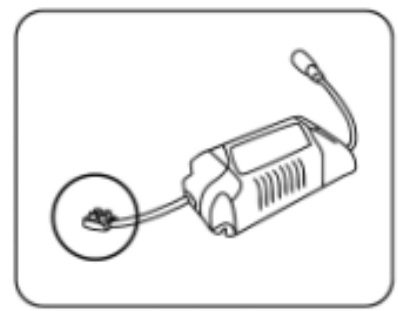
◆ **Attention:** Before installation, power must be cut off to keep people safe.



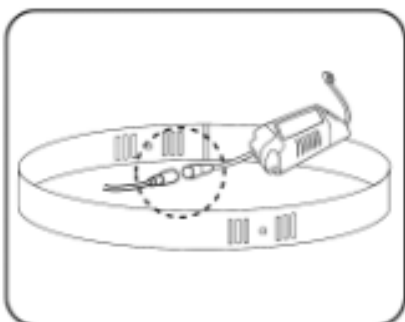
Take down the fixed handle  
And the screws of body.



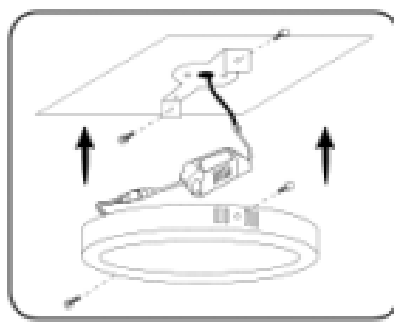
Fixed the handle on the ceiling  
with 4 screws.



Connect the input line of driver.



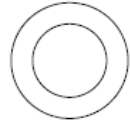
Connect the output line of driver,  
then connect the DC connectors  
and rotating clamping.



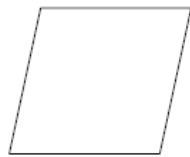
Put the driver into the lamp, and  
tighten two screws of both sides  
of the body and handles.

Spec No.	Date	Page	Ver.
/	Mar/03/2016	7/7	A2

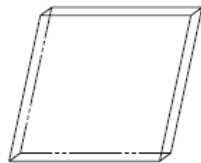
## ■ The view of package



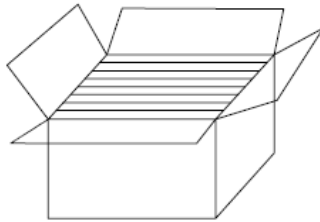
Panel light



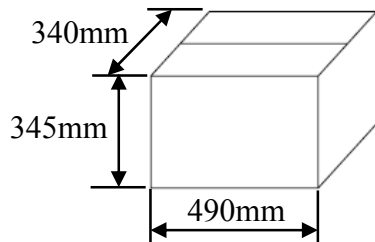
PE bag



Inner box



10pcs/Carton



Sealed carton

Size of panel(mm)	∅ 300*38mm
Inner box size	L*W*H: 318x45x317mm
Carton size	L*W*H: 490x340x345mm
Packing quantity	10pcs
Net weight	8.74kg
Gross weight	10.6kg